

DATA SHEET

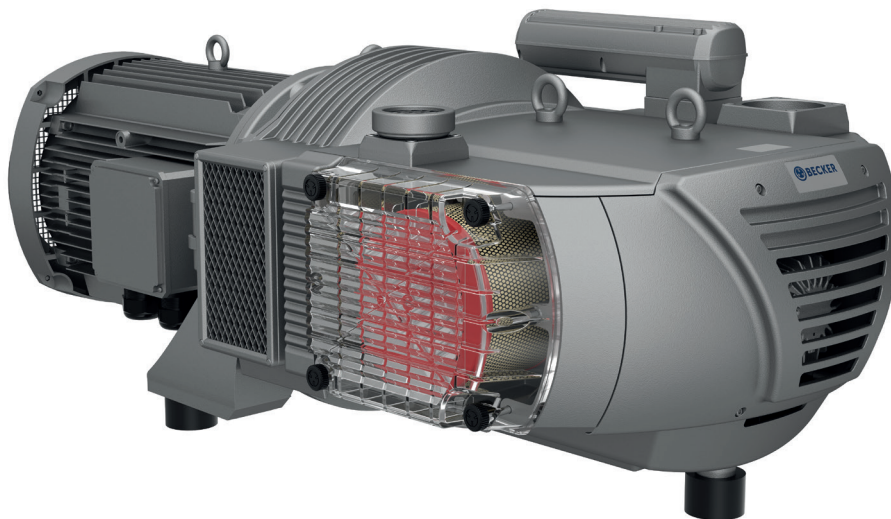
DTLF 2.500

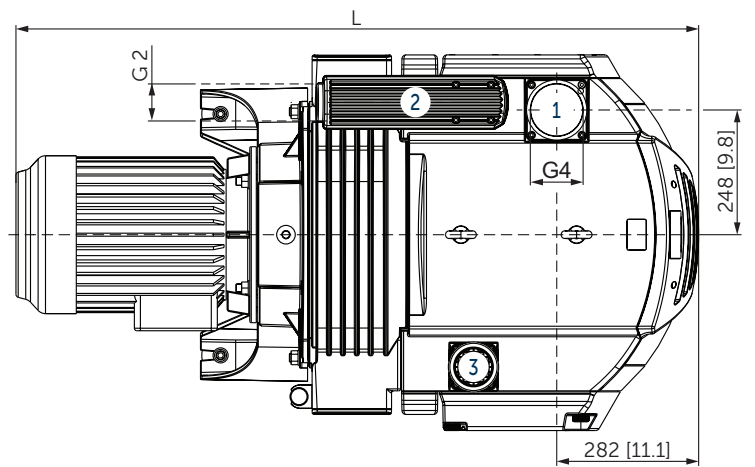
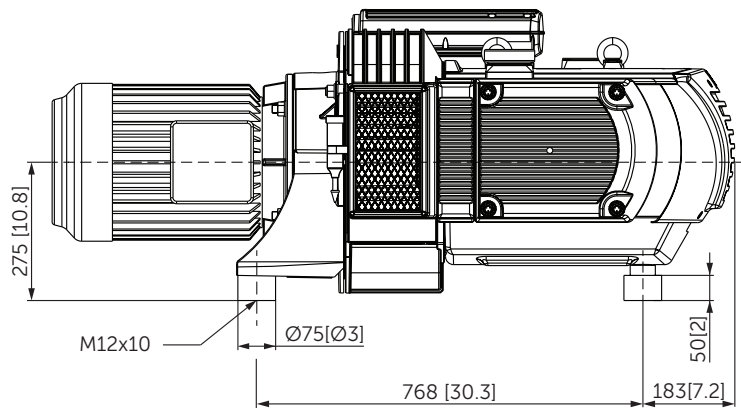
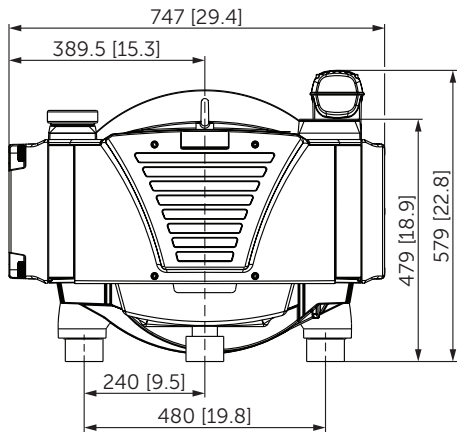
ROTARY VANE COMPRESSORS

oil-free

air-cooled

MAKE IT BECKER.





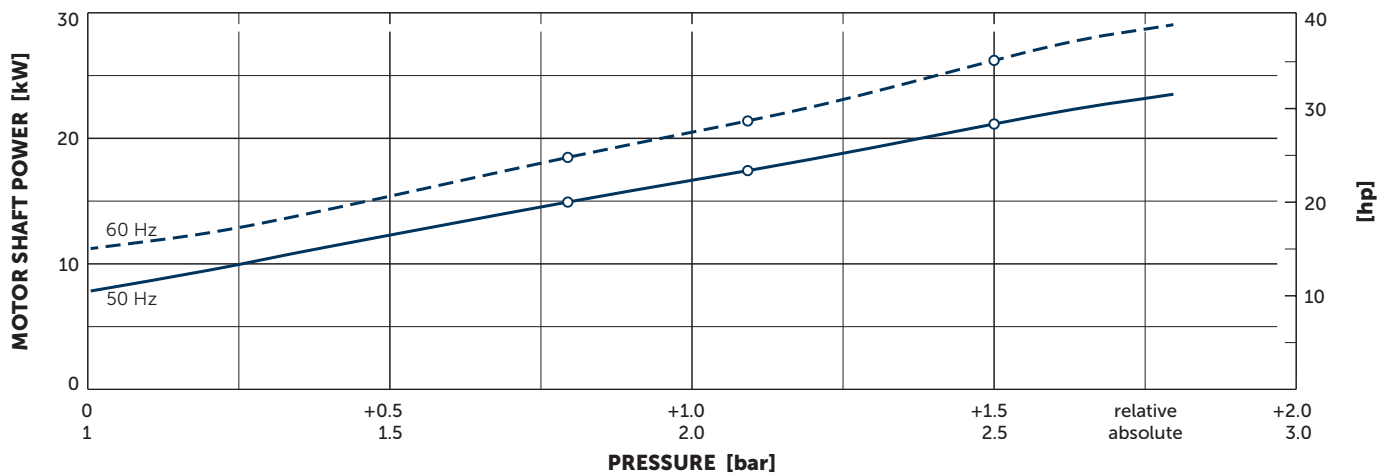
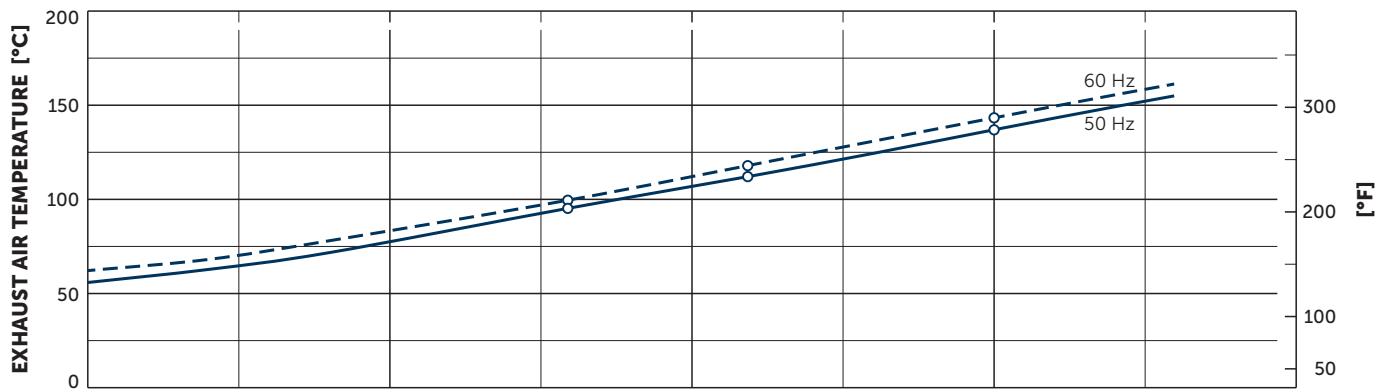
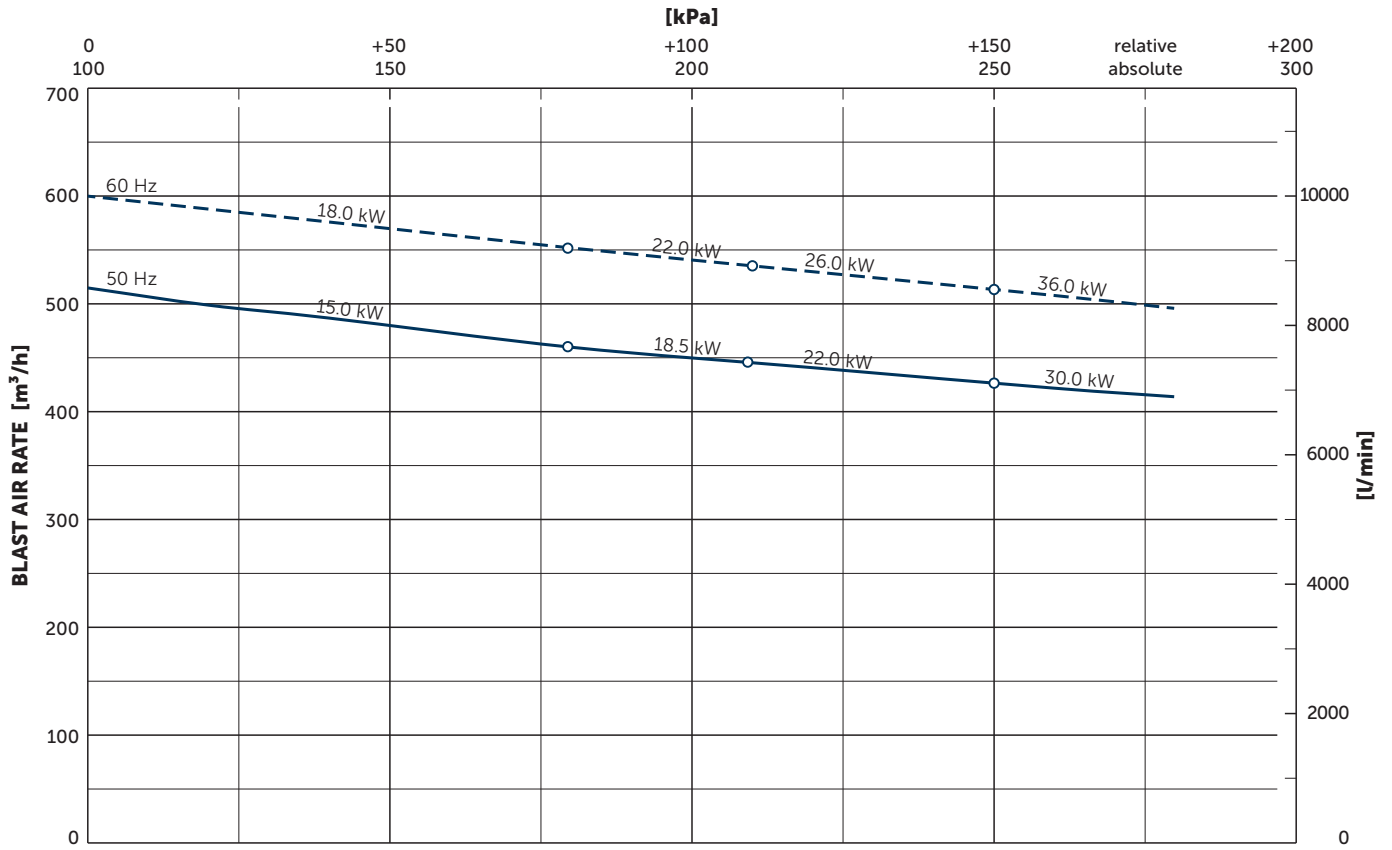
- 1 Pressure connection (G2)
- 2 Pressure safety valve with silencer
- 3 Air nozzle
 - Including integrated suction air filter
 - The motor illustration may vary
 - Dimensions in mm [inch]

Blast air rate		Pressure relative		Motors		Emission sound pressure level ¹⁾		Weight w/o motor
m ³ /h		bar		kW		dB(A)		kg
50 Hz	60 Hz	50 Hz	60 Hz	50 Hz	60 Hz	50 Hz	60 Hz	
515	600	+0.8	+0.8	15.0	18.0	80	82	248
515	600	+1.1	+1.1	18.5	22.0	81	82	248
515	600	+1.5	+1.5	22.0	26.0	81	82	248
515	600	+1.8	+1.8	30.0	36.0	81	82	248

¹⁾ According to DIN EN ISO 11203, accuracy class of measurement: class 2, extended measurement uncertainty: 3 dB
1 m [39.4 inch] distance, at medium load, both connection sides piped

3~ Motors												L	
#	50 Hz				60 Hz				Weight kg	Version	mm [inch]		
	kW	V	rpm	A	kW	V	rpm	A					
01	15.0	Δ400	IE3	985	33.4	18.0	Δ460 Δ400	IE3	1183 1175	33.7 37.2	196.0	UL(E235514) • CSA CC329B IP55 • ISO F • bimetal	1466 [57.8]
02						18.0	YY230/Y460 YY208	IE3	1183 1180	69.1/34.6 72.3	162.5	UL(E235514) • CSA CC329B IP55 • ISO F • bimetal	1466 [57.8]
03	15.0	Δ200/Y350	IE3	987	68.6/39.6	18.0	Δ220/Y380–400 Δ200/Y350	IE3	1185 1180	69.7/40.2–39.6 73.1/42.2	163.0	UL(E235514) • CSA CC329B IP55 • ISO F • bimetal	1466 [57.8]
04						18.0	Δ400/Y690	IE3	1185	38.9/22.4	197.0	UL(E235514) • CSA CC329B IP55 • ISO F • bimetal	1466 [57.8]
05	18.5	Δ400	IE3	983	40.7	22.0	Δ460 Δ400	IE3	1180 1176	40.7 41.8	200.0	UL(E235514) • CSA CC329B IP55 • ISO F • bimetal	1529 [60.2]
06						22.0	YY230/Y460 YY208	IE3	1183 1180	83.8/41.9 86.9	200.0	UL(E235514) • CSA CC329B IP55 • ISO F • bimetal	1529 [60.2]
07						22.0	Δ400/Y690	IE3	1182	47.4/27.4	200.0	UL(E235514) • CSA CC329B IP55 • ISO F • bimetal	1529 [60.2]
08	22.0	Δ400	IE3	979	41.0	25.9	Δ460 Δ400		1177 1167	41.3 47.8	233.0	UL(E235514) • CSA CC329B IP55 • ISO F • bimetal	1535 [60.5]
09						25.9	YY230/Y460	IE3	1181	83.4/41.7	233.0	UL(E235514) • CSA CC329B	1535 [60.5]
						26.0	YY208		1177	91.5		IP55 • ISO F • bimetal	
10	30.0	Δ400	IE3	983	63.1	36.0	Δ460 Δ400	IE3	1180 1169	63.4 65.9	242.0	UL(E235514) • CSA IP55 • ISO F • bimetal	1535 [60.5]

▪ Current consumption and rotation speed may vary. Tolerance in each case -1.5/+2%



Reference data (atmosphere): 1000 mbar (100 kPa), 20°C (68°F)
 Tolerance: ±5%

+ VARIANTS AND ACCESSORIES

- Increased corrosion protection
- Internal dust separator
- External suction filter¹⁾
- Sound proof box SH 12¹⁾



Sound proof box SH 12

¹⁾ See separate data sheet

- Possible combinations on request



MAKE IT BECKER.